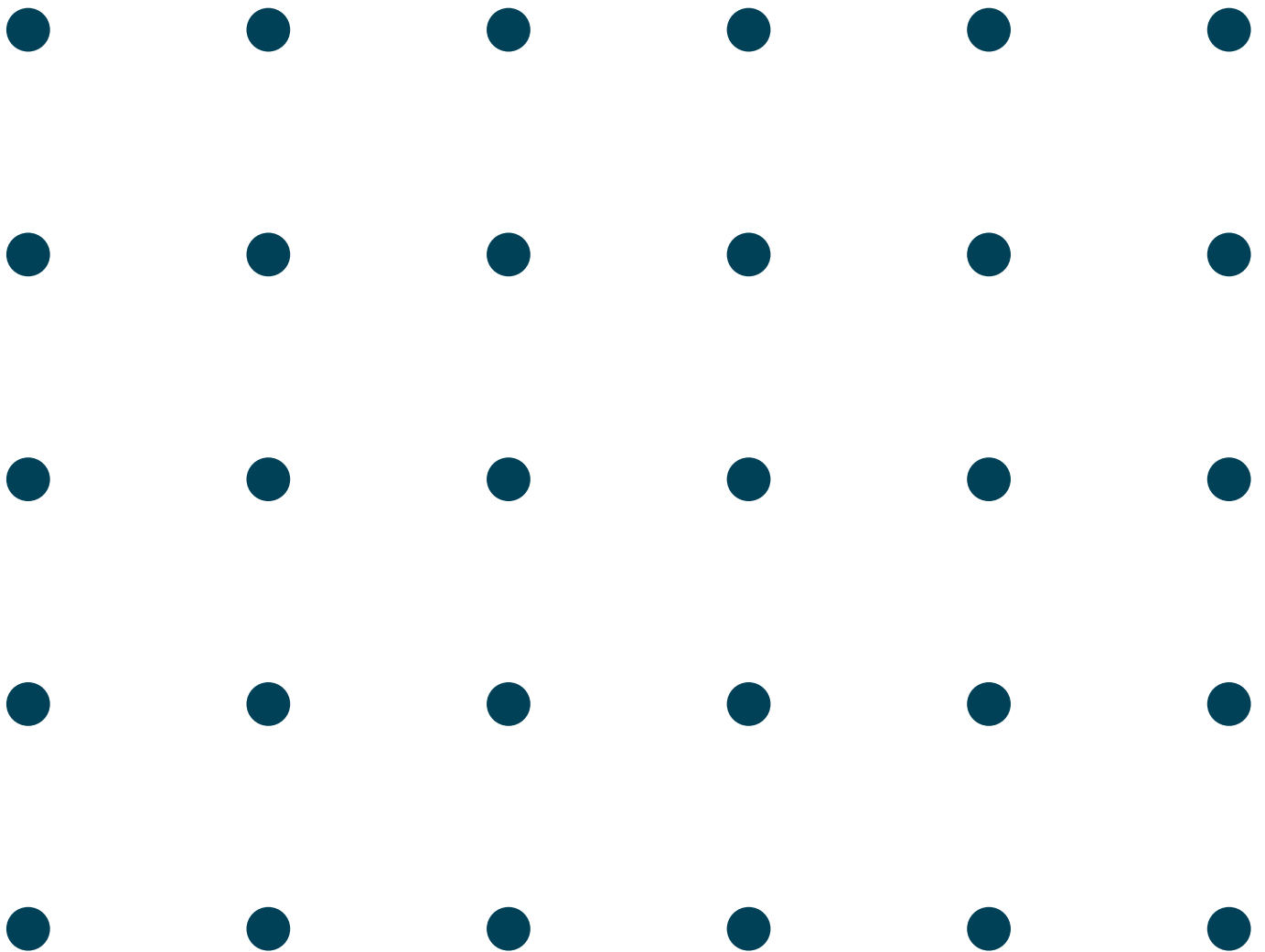


UV Safe™

Maintenance Instructions



UV Safe is our patented filtration system for eliminating grease and reducing odors from large kitchens. The system meets the highest possible safety standards. Air-cooled electronics and LED indicators ensure optimal function. Easy installation and smooth maintenance. An effective and safe combination of cyclone filters and UV light with ozone.

Effective Filtration

UV SAFE is a patented filtration system for eliminating grease and reducing odors from large kitchens. UV SAFE is an effective and safe combination of cyclone filters and UV light with ozone. The system meets the highest possible safety standards. For the filtration system to function perfectly, the filter cassettes and UV tubes must be cleaned regularly. Maintenance is easy to perform.

Control Panel

UV SAFE is controlled with the control panel. All necessary information can be read on the panel. At the bottom of the panel display, it shows how many hours remain before the UV tubes need to be replaced and when it's time for cleaning. With a simple button press, you can access the maintenance and service menu.

Start/Stop the System

Press the "on/off button" on the control panel. The system starts and the UV tubes light up. The LEDs on the front of the filter housing indicate which tubes are lit. To stop UV SAFE, press the "on/off button". Remember to have the system running during cooking.

Operating Time up to 12,000 Hours

The UV tubes have an operating time of up to 12,000 hours. The system counts down the time during operation and alarms when it's time to prepare for UV-tubes replacement. The exact remaining operating hours can be read on the control panel.

Cleaning - How Often?

All filters and UV tubes should be cleaned regularly. How often depends on the kitchen's load. In restaurant kitchens, cleaning should be done 1-2 times a week. In kitchens with lighter cooking, 2 times a month may be sufficient.

If cleaning is forgotten, the system will remind you with an audible signal after 200 hours. The cleaning interval can be changed in the service menu.



Figure 1 - The control panel activates when you press the screen. The LED at the bottom left lights green during operation



Figure 2 - The top of the screen shows whether the system is running or off. At the bottom, it shows when it's time to replace the UV tubes and clean the system. The cleaning interval can be changed in the service menu



Figure 3 - Press the "on/off button" to start and stop the system

Cleaning of Filters/UV Tubes

Always clean the UV tubes at the same time as the other filters. If the UV tubes are not kept clean, the function is significantly impaired. Here's how to clean:

1. Turn off the filtration system by pressing the "on/off button" on the control panel.
2. Unlock and open the filter housing door by pulling both handles.
3. Clean the UV tubes with a cloth dampened with warm water and cleaning agent. Use appropriate protective equipment. (fig. 5-6).
4. Remove both wire mesh filters and clean them in warm water (figure 7).

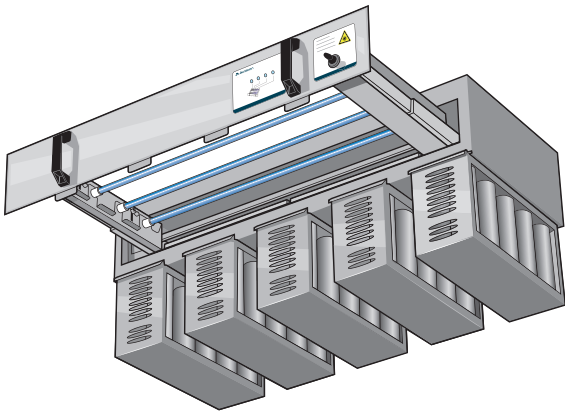


Figure 4 - Turn off the system. Unlock and open the door by pulling both handles

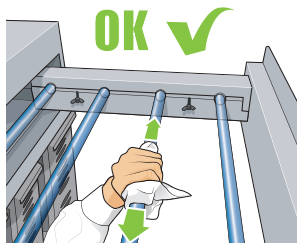


Figure 5 - Pour cleaning agent on a cloth. Wipe the UV tubes as shown in the figure

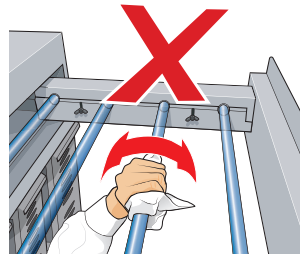


Figure 6 - Do not wrap the cloth around the tube. The UV tube may be damaged

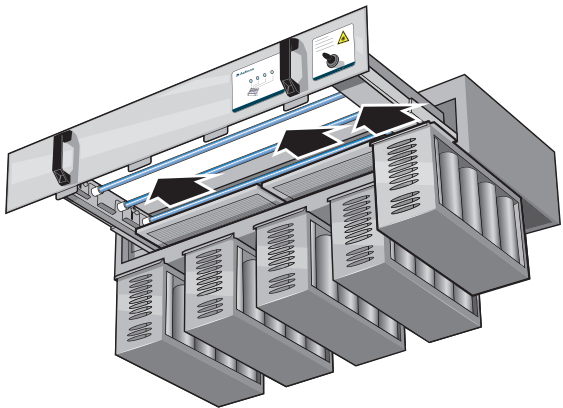


Figure 7 - Remove the wire mesh filters and filter cassettes. These are cleaned in the dishwasher

5. Carefully remove the filter cassettes. Pour out the liquid grease and clean the cassettes in a dishwasher (figure 7).
6. Replace the filters. Grab both handles of the door, close gently, and lock. Note that the door cannot be closed if the wire mesh filters are not in place. This is a safety measure.
7. Start the system by first pressing the "maintenance menu" button and then "Reset after cleaning". Now press OK and then the "on/off button" and the system starts (fig. 8-10).
8. The timer is now reset. If the interval to the next cleaning is exceeded, the control panel will alarm.



Figure 8 - After cleaning, press the maintenance menu



Figure 9 - Press "Reset after cleaning"



Figure 10 - Press OK and then the "on/off button"

Easy to Replace UV tubes

When the operating time of the UV tubes is nearing its end, the system reminds you that it's time to replace the tubes. Here's how to replace the UV tubes:

1. Turn off the filtration system by pressing the "on/off button" on the control panel.
2. Unlock and open the filter housing door by pulling both handles. Loosen the wing screws on the left side and slide the plate up. Now loosen the UV tubes by gently pulling them to the left and then to the right (figure 11).
3. Install the new tubes, reset, and secure the plate on the left side.
4. Grab both handles of the door, close, and lock.
5. Start the system by first pressing the "service menu" button. Enter the current pin code and press OK. Then press "Reset after UV tube replacement". Now press OK and then the "on/off button" (figures 12-16).

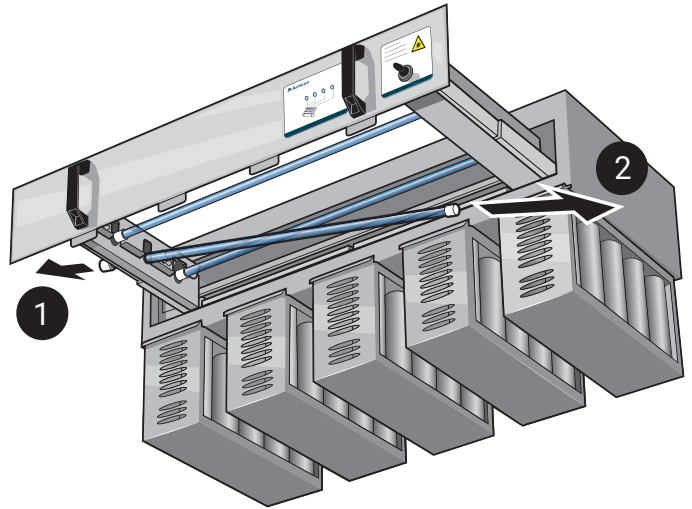


Figure 11 - Handle UV tubes carefully during removal and installation.



Figure 12 - After lamp replacement, press the "service menu"



Figure 13 - Enter pin code 1992 and press OK



Figure 14 - Press "Reset after UV tube replacement"



Figure 15 - Press OK



Figure 16 - Press "on/off" and the system starts